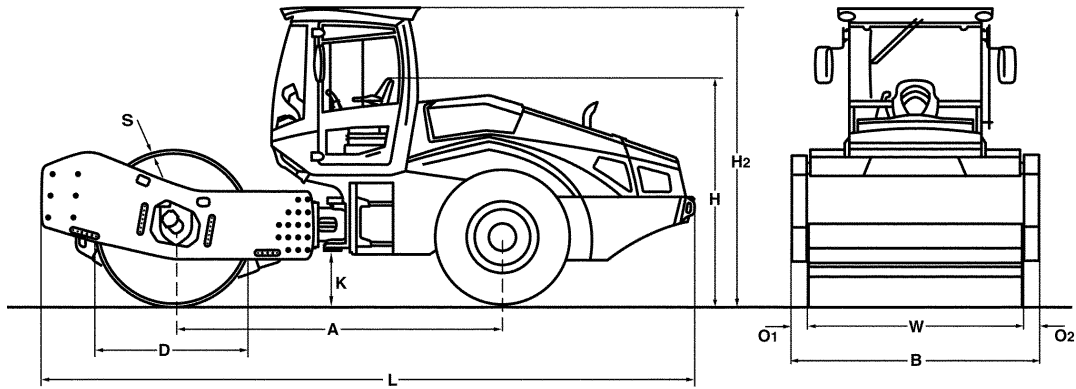


# TECHNICAL DATA

SINGLE DRUM ROLLERS

BW 226 DH-5





**Dimensions in mm**

	<b>A</b>	<b>B</b>	<b>D</b>	<b>H</b>	<b>H2</b>	<b>K</b>	<b>L</b>	<b>O1</b>	<b>O2</b>	<b>S</b>	<b>W</b>
<b>BW 226 DH-5</b>	3360	2500	1600	2350	3080	520	6740	185	185	40	2130

**Shipping dimensions in m3**

**BW 226 DH-5**

**without ROPS**

39,598

**with ROPS**

51,898

<b>Machine type</b>	<b>Compaction output (m3/h)</b>			
	<b>Rock fill</b>	<b>Gravel, sand</b>	<b>Mixed soil</b>	<b>Silt, clay</b>
BW 226 DH-5	1180-2120	880-1750	680-1200	350-700

<b>Machine type</b>	<b>Compacted layer thickness (m)</b>			
	<b>Rock fill</b>	<b>Gravel, sand</b>	<b>Mixed soil</b>	<b>Silt, clay</b>
BW 226 DH-5	2,00	1,50	1,00	0,50

## Technical Data

## BOMAG BW 226 DH-5

### Weights

Grossweight .....	kg	26.710
Operating weight CECE w. ROPS-cabin .....	kg	25.000
Axle load, drum CECE .....	kg	17.070
Axle load, wheels CECE .....	kg	7.930
Static linear load CECE .....	kg/cm	80,1

### Dimensions

Working width .....	mm	2.130
Track radius, inner .....	mm	4.260

### Driving Characteristics

Speed .....	km/h	0- 10,0
Max. gradeability without/with vibr. ....	%	50/47

### Drive

Engine manufacturer .....		Deutz
Type .....		TCD 2012 L06
Emission stage .....		Stage IIIa / TIER3
Cooling .....		water
Number of cylinders .....		6
Performance ISO 3046 .....	kW	150,0
Performance SAE J 1995 .....	hp	202,0
Speed .....	min-1	2.200
Fuel .....		Diesel
Electric equipment .....	V	12
Drive system .....		hydrost.
Drum driven .....		standard

### Drums and Tyres

Tyre size .....		23.5-25 16PR
-----------------	--	--------------

### Brakes

Service brake .....		hydrost.
Parking brake .....		hydromec.

### Steering

Steering system .....		oscil.artic.
Steering method .....		hydrost.
Steering / oscillating angle +/- .....	grad	35/12

### Exciter system

Drive system .....		hydrost.
Frequency .....	Hz	26/26
Amplitude .....	mm	2,10/1,20
Centrifugal force .....	kN	328/187
Centrifugal force .....	t	33,5/19,1

### Capacities

Fuel .....	l	280,0
------------	---	-------

Technical modifications reserved. Machines may be shown with options.

### Standard Equipment

- BOMAG ECOMODE
- Double pump system for travel drive
- Self locking differential
- Rear axle with twin spring accumulator brakes
- Hydrostatic travel and vibration drive
- Hydrostatic articulated steering
- Articulated joint lock
- Seat with arm rest and adj. for position and height
- Sliding window
- Battery disconnect switch
- Single lever control for travel and vibration
- Warning, information and operation displays with LCD
- Loading mode
- Emergency STOP
- Working lights front / rear
- Back-up alarm
- Noise insulation
- 2 Scrapers
- Warning horn
- Tractor tires (PDH)

### Optional Equipment

- ROPS/FOPS cabin with seat belts
  - Sliding window
- ROPS cabin with air conditioning
- Cabin with air conditioning
- Rearview camera
- Air condition
- Radio (Bluetooth)
- Pre start cabin heating
- Comfort package: Adjustable seat and adjustable steering column
- Rotary beacon
- Indicator and hazard lights
- BOMAG ECOSTOP
- ECONOMIZER
- TERRAMETER
- BOMAG TELEMATIC POWER
- Padfoot segment kit (DH)
- Measuring- and machine data interface for third-party suppliers
- Reversing alarm buzzer with broad band audio
- LED Working lights (Cabin)
- Rock tyre
- Protective ventilation system (Pre-installation)
- Quick refuelling system
- Radio preparation
- Cold start device

